



# TK35

**AUTOMATIC ENTRANCES**  
WITH 35 MM  
SECTION PROFILES

**FAAC**  
*Simply automatic.*

# TK35 PROFILES

The TK35 system enhances the range of FAAC profiles. A **simple and innovative solution**, designed to make it easier to manage and install the leaves for automatic entrances.

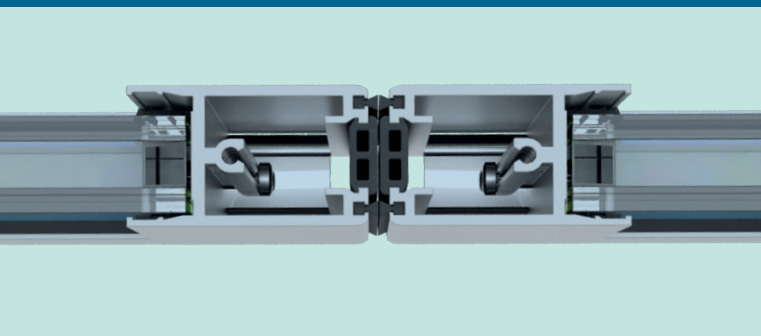


**Compatible** with the entire range of automations for FAAC sliding doors such as:

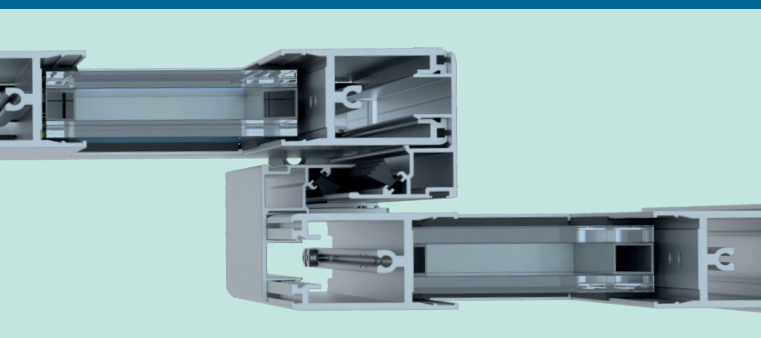
- A1000
- A1400 AIR
- A1400 AIR RD (for escape routes with redundant system)
- Airslide and On Air systems.

**FAAC TK35** series 35 mm thick aluminium alloy profiles, for making standard or telescopic automatic entrances in full compliance with the Machinery Directive.

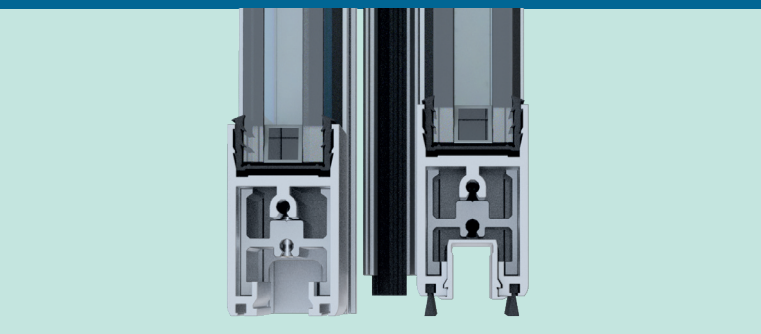
Fitted with special **seals** for 10 mm single or 24 mm double-glazing panels made of laminated glass.



Rubber seals have been fitted at the centre of the sliding leaves together with **brushes** to ensure that the leaves close properly and to limit the entry of air and dust.



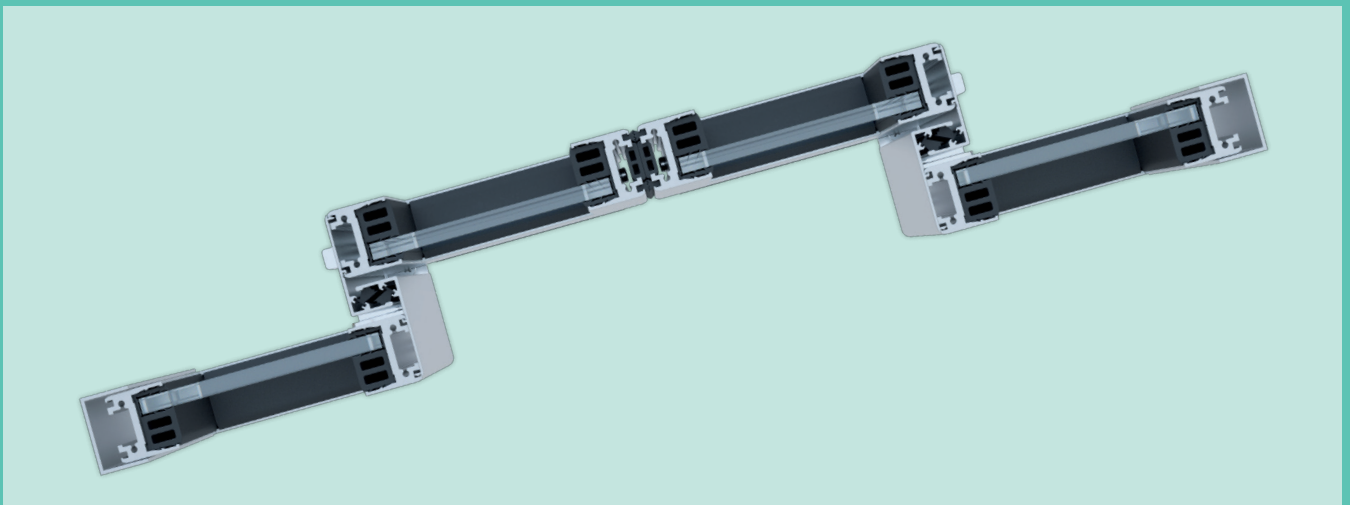
The **“labyrinth” system** at the sides consists of two vertical profiles and a brush that intersect when the door is closed, to prevent heat dispersion.



The **large main profile used at the bottom** houses a special aluminium profile for the floor shoe, as well as being used to attach the heat seal brushes.

## Two main **profiles are available:**

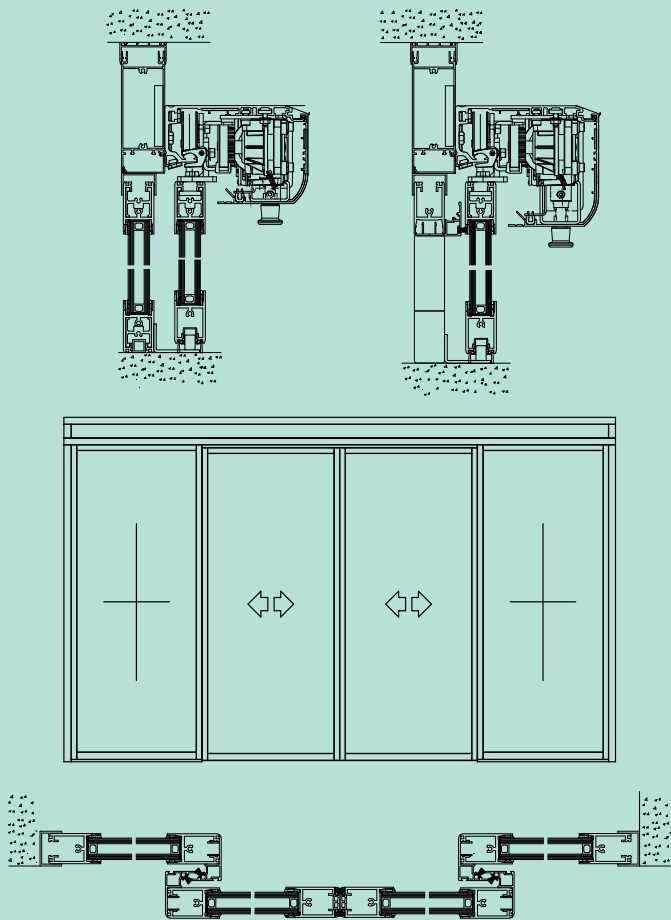
- **LARGE (35 x 60 mm)**  
used for the entire perimeter of fixed and sliding leaves, designed to house a mechanical lock with vertical or hooked bolts
- **SMALL (35 x 30 mm)**  
used only for the uprights in order to give a more compact appearance.



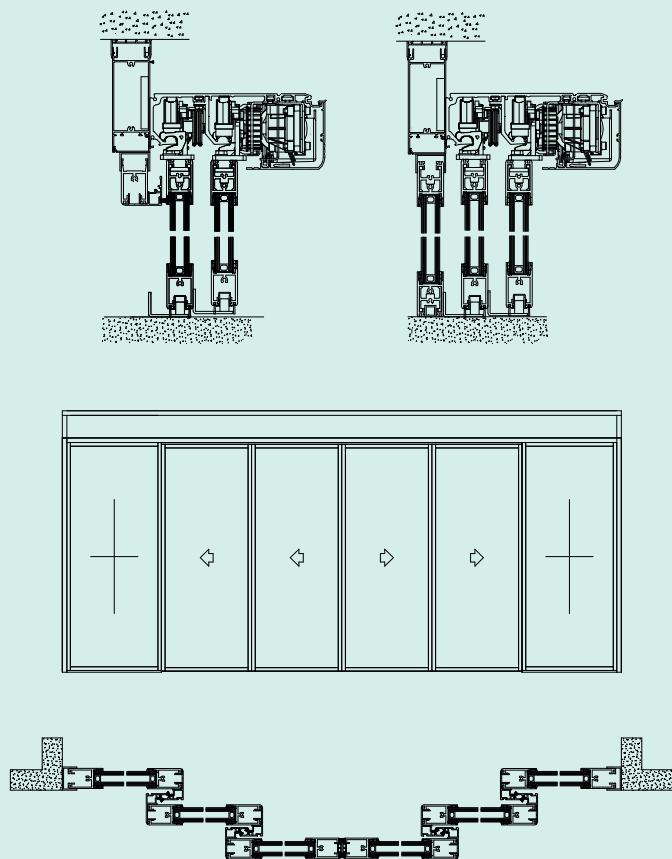
## **Three mounting solutions** for all installation requirements.

- **Kit doors:** natural aluminium profiles, seals and brushes packaged in cartons and sold in dedicated packs.
- **Non-assembled standard or telescopic door:** leaves cut to size and packaged in cartons, ready to be assembled and installed on site. Available with silver or coloured anodised surface finish, or painted. The glass panels are not supplied.
- **Pre-assembled standard or telescopic door:** leaves cut to size and assembled with the glass panels, shipped on wooden pallets and ready to be assembled and installed on site. Available with silver or coloured anodised surface finish, or painted.

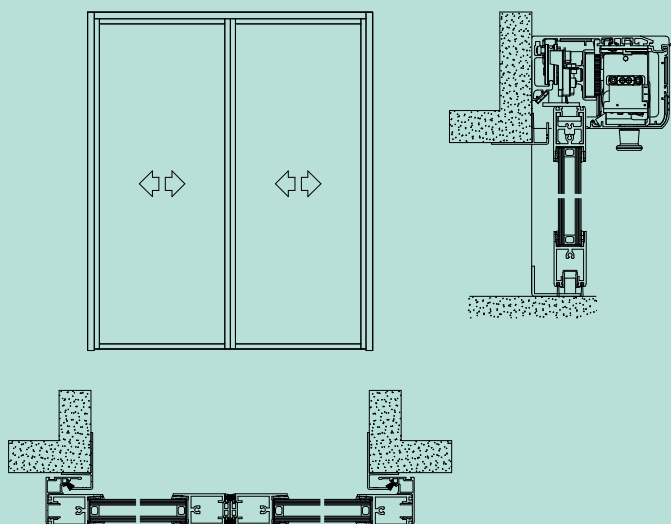
**TK35 on an entrance with two mobile leaves and two fixed leaves mounted on the head section and an A1400 automation**



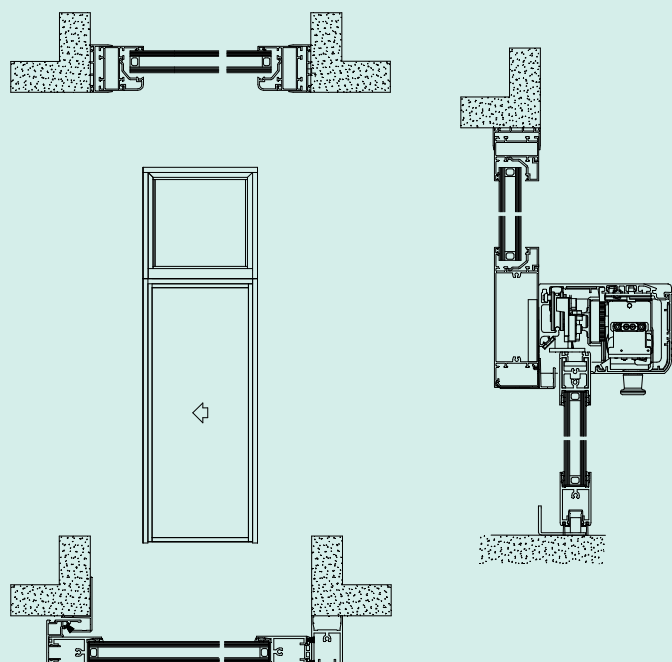
**TK35 on an entrance with four mobile telescopic leaves and two fixed leaves mounted on the head section and an A1400 automation**



**TK35 on an entrance with two mobile leaves mounted on the wall and an A1000 automation**



**TK35 on an entrance with one fixed leaf, a transom window and an A1000 automation**



# HEADQUARTERS

## ITALY

FAAC S.p.A. - Soc. Unipersonale  
Via Calari 10 - 40069 Zola Predosa (BO)  
Tel. +39 051 61724 - Fax +39 051 0957820  
it.info@faacgroup.com - www.faacgroup.com

# SUBSIDIARIES

## ASIA - PACIFIC

FAAC MALAYSIA  
MAGNETIC CONTROL SYSTEMS SDN  
BHD  
Selangor, Malaysia  
tel. +60 3 5123 0033  
www.faac.biz

## AUSTRALIA

FAAC AUSTRALIA PTY LTD  
Regents Park, Sidney, NSW  
www.faac.com.au

## AUSTRIA

FAAC GMBH  
Salzburg, Austria  
tel. +43 662 8533950  
www.faac.at

## BENELUX

FAAC BENELUX NV/SA  
Jabbeke, Belgium  
tel. +32 50 320202  
info@faacbenelux.com  
www.faacbenelux.com

FAAC BV  
Doetinchem, The Netherlands  
tel. +31 314 369911  
faacbv.info@faacgroup.com  
www.faacbv.com

## BRAZIL

INDÚSTRIAS ROSSI ELETROMECAÂNICA  
LTDA  
Brasília DF, Brazil  
tel. +55 61 33998787  
www.rossiporatoes.com.br

## CHINA

FAAC SHANGHAI  
Shanghai, China  
tel. +86 21 68182970  
www.faacgroup.cn

## FRANCE

FAAC FRANCE  
Saint Priest - Lyon, France  
tel. +33 4 72213020  
www.faac.fr

FAAC FRANCE - AGENCE PARIS  
Massy - Paris, France  
tel. +33 4 72213020  
www.faac.fr

FAAC FRANCE - DEPARTEMENT VOLETS  
Saint Denis de Pile - Bordeaux, France  
tel. +33 5 57551890  
www.faac.fr

## GERMANY

FAAC GMBH  
Freilassing, Germany  
tel. +49 8654 49810  
www.faac.de

## INDIA

MAGNETIC FAAC INDIA PVT LTD.  
Chennai - India  
Tel. +91 44 421 23297  
info@magnetic-india.com  
www.faacindia.com

## IRELAND

NATIONAL AUTOMATION LTD  
Co. Roscommon, Ireland  
tel. +353 71 9663893  
www.nal.ie

## MIDDLE EAST

FAAC MIDDLE EAST FZE  
Dubai, UAE  
tel. + 971 4 3724190  
www.faac.ae

## POLAND

FAAC POLSKA SP.ZO.O  
Warszawa, Poland  
tel. +48 22 8141422  
fax +48 22 8142024  
www.faac.pl

## RUSSIA

FAAC RUSSIA  
Moscow, Russia  
tel. +7 (495) 646 87 40  
www.faac.ru

## SCANDINAVIA

FAAC NORDIC AB  
Perstorp, Sweden  
tel. +46 435 779500  
www.faac.se

## SOUTH AFRICA

CENTURION SYSTEMS PTY LTD  
Johannesburg, South Africa  
tel. +27 11 699 2400  
www.centsys.co.za

## SPAIN

CLEM, S.A.U.  
San Sebastián de los Reyes - Madrid,  
Spain  
tel. +34 91 3581110  
www.faac.es

## SWITZERLAND

FAAC AG  
Altdorf, Switzerland  
tel. +41 41 8713440  
www.faac.ch

## UNITED KINGDOM

FAAC UK LTD.  
Basingstoke Hampshire, UK  
tel. +44 1256 318100  
www.faac.co.uk

## U.S.A.

FAAC INTERNATIONAL INC  
Rockledge, Florida - U.S.A.  
tel. +1 866 925 3222  
www.faacusa.com

FAAC INTERNATIONAL INC  
Fullerton, California - U.S.A.  
tel. +1 714 446 9800  
www.faacusa.com

FAAC S.p.A. - Soc. Unipersonale  
Via Calari 10 - 40069 Zola Predosa (BO)  
Tel. +39 051 61724 - Fax +39 051 0957820  
it.info@faacgroup.com



www.faacgroup.com