



manual

MANUAL

Revolvingdoor
systems



edora.com

Manual revolving doors at the building entrance is the most economical solution that provides energy savings and prestige. It does not require electrical energy usage and air curtain. The mechanism used on manual revolving doors, can be used for many years without failure if the regular maintenance performed. One of the most important features of manual door is availability to be transformed to automatic revolving door at any time.



standard features

Wing Glasses	: 4+4 Laminated Glass
Curved Glasses	: 4+4 Laminated Glass
Brushes	: 40 mm horse hair brushes
Lighting	: 4 pcs. 5W led downlight
Color	: Natural Anodized / RAL colors
Horizontal Door Handles	: 32 mm stainless steel pipe
Glass Gasket	: Epdm
Availability to be Used as Automatic Door at Anytime	
Lock	
Lock	
Roof	: MDF covering for indoor : Aluminium sheet for outdoor
Mechanism	: First quality bearing systems
Brushes	: 40mm horse hair brushes
Ceiling	: 12 pcs. of 1,5mm thick aluminium sheets
Glass Gasket	: Epdm
Canopy	: Aluminium and iron profiles
Color	: Natural anodized / RAL colors
Lighting	: 4 pcs. 5W led downlight
Control Panel	: Control panel with position switch

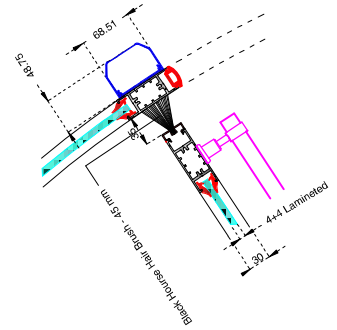
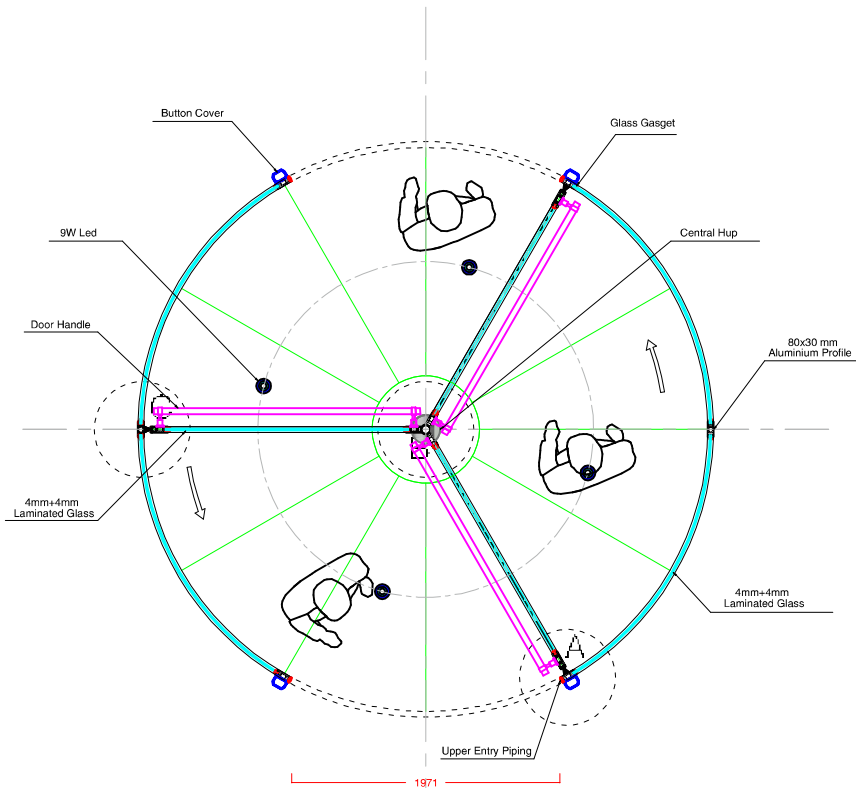
optional features

Passage Height in Different Dimensions	: Access by Card System
Canopy Height in Different Dimensions	: Speed Control System
Night Security Shield	: Mirror Stainless Steel Cladding
Break-out Leaves	: Golden Mirror Stainless Steel Cladding
Manual Lock	: Bright Stainless Steel Cladding
Electromagnetic Lock	: Doormat
Water Insulation for Outdoor with Drain Duct	: 2 Line Door Handles
Extra 2 pcs. 5W Led Downlight	: Vertical Aluminium Door Handles
20x30x2 mm Stainless Steel Floor Ring	: Colored Glass
Air Curtain	: Water Insulation for Outdoor

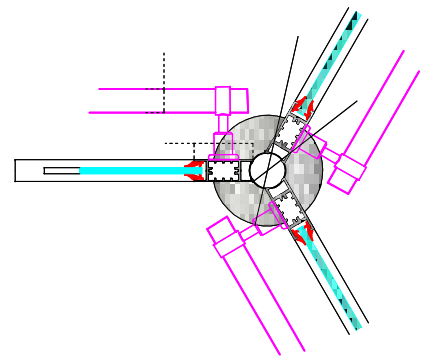


ED200 3WINGS

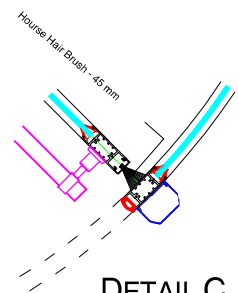
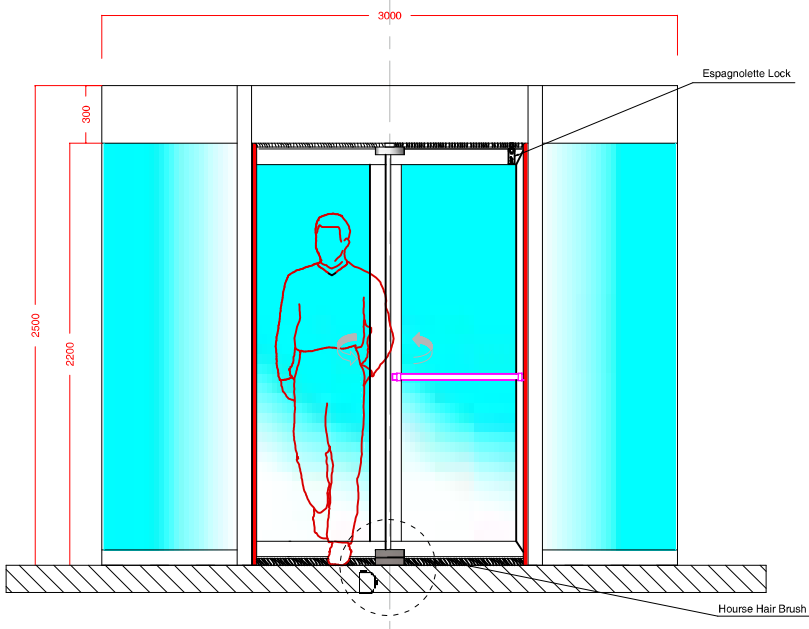
technical specifications/details



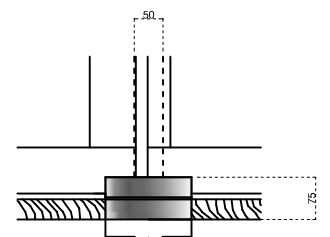
DETAIL A



DETAIL B



DETAIL C



DETAIL D





