



METAXDOOR GL30/SM
Manual All-Glass Revolving Door



Revolving Doors



Sliding Doors



Swing Doors





3-Leaf-Manual All Glass Revolving Door



4-Leaf-Manual All Glass Revolving Door

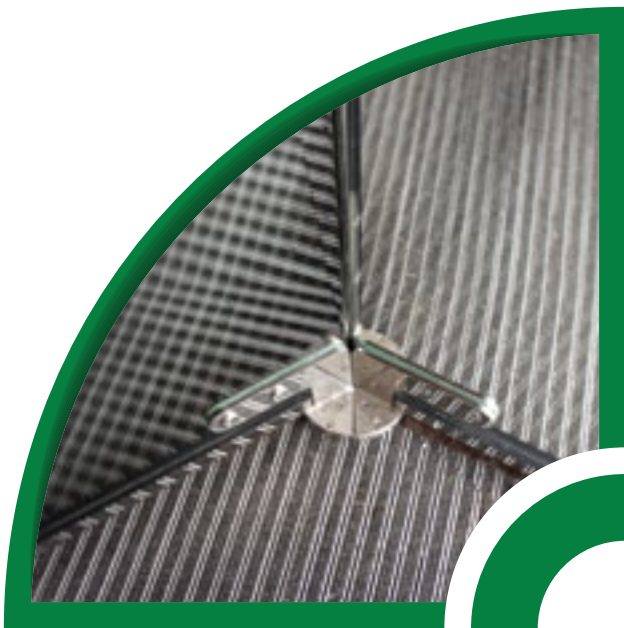


Night Shield



*You Dream,
We Build*

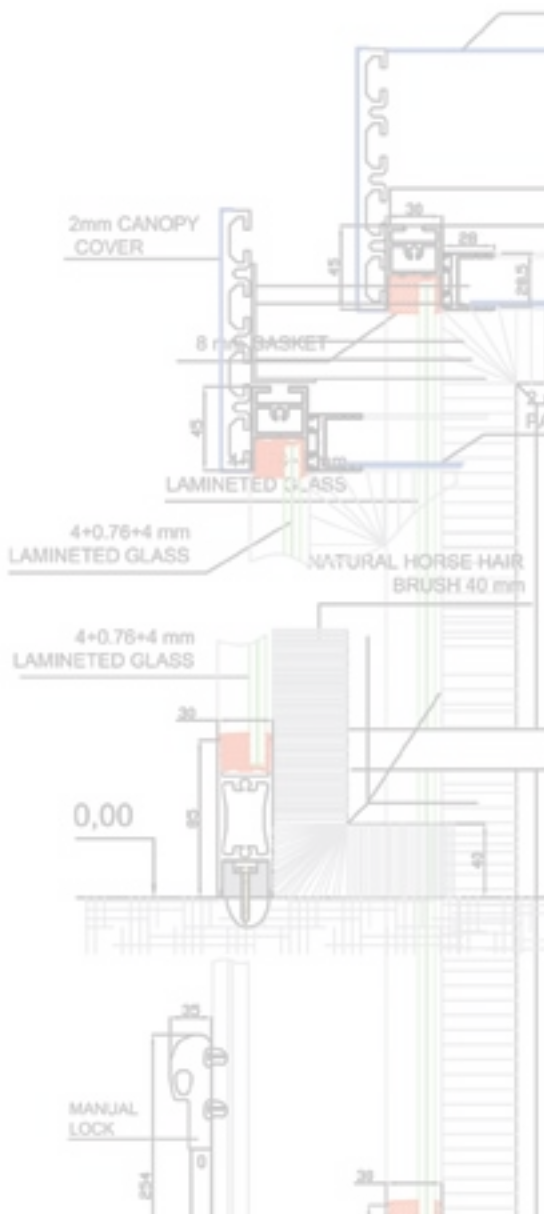
Manual all-glass revolving doors are the best choices wherever aesthetic, economic and transparent entrance solutions are required.



METAXDOOR GL30/SM glass revolving door is made of complete glass and slim stainless steel profiles. It is designed to fit effortlessly into transparent facades. In addition to all these functions, it also provides you with insulation and smooth flow of standard revolving doors and with all these features combined, you can have the entrance you dreamed of.

Perfect harmony of laminated and tempered glasses with slim stainless steel profiles and custom manufactured floor mat are some of the featured specifications of GL30 series glass revolving doors.



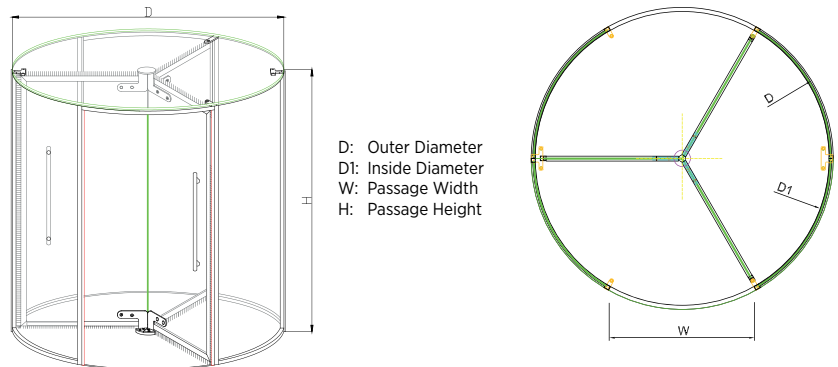


D	H	W/3	W/4	D1
2000	2100-2400	950	1370	1940
2200	2100-2400	1050	1510	2140
2400	2100-2400	1150	1650	2340
2600	2100-2400	1250	1790	2540
2800	2100-2400	1350	1930	2740
3000	2100-2400	1450	2070	2940

* Dimensions are in millimeters.

** Special dimensions available upon requirements.

*** Dimensions are for information purposes only and are subject to change on static requirements.



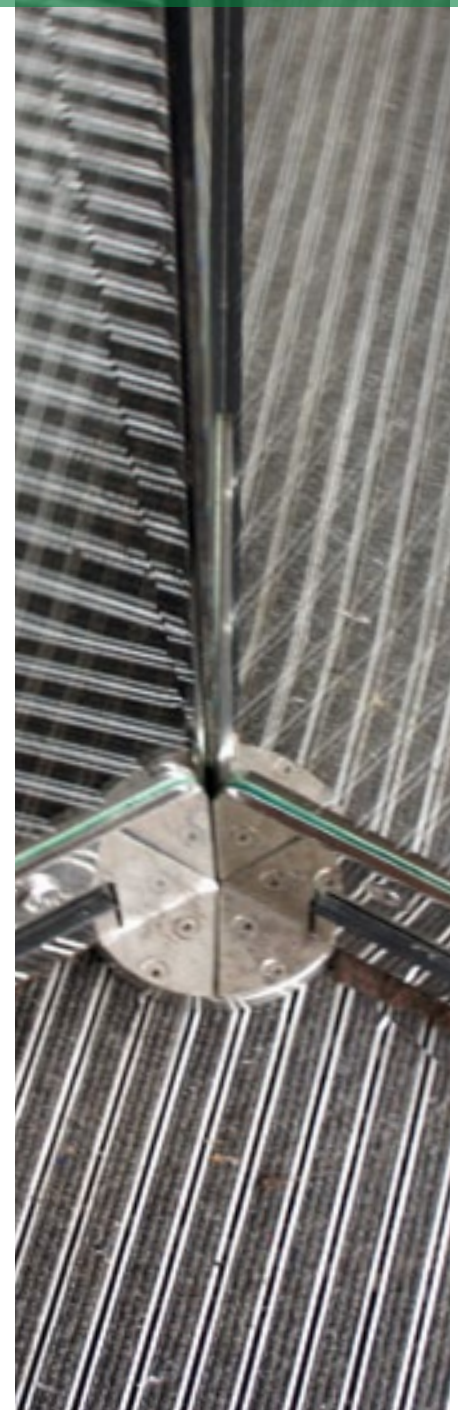
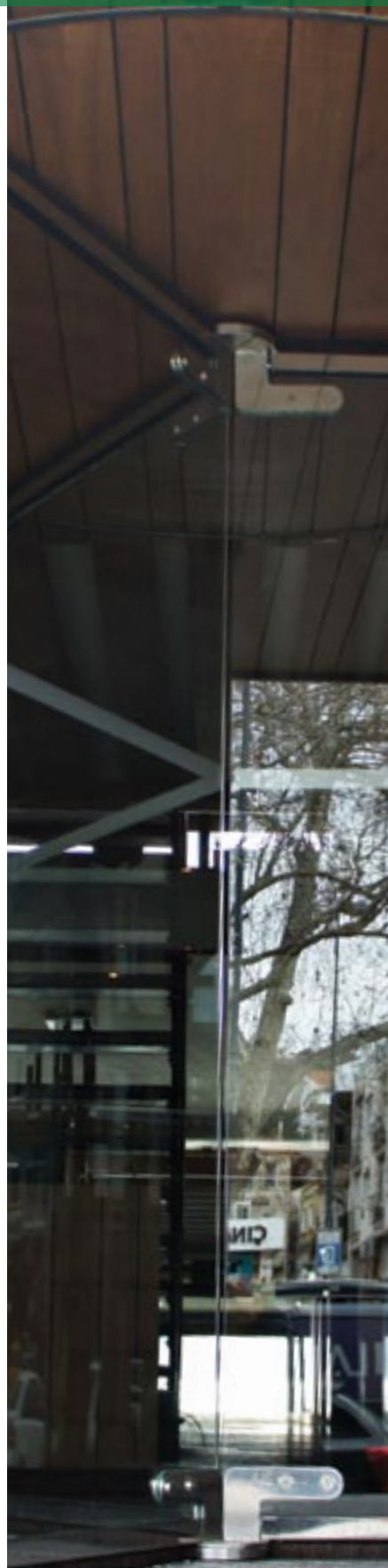
D: Outer Diameter
D1: Inside Diameter
W: Passage Width
H: Passage Height

Technical Specifications

Drum Walls, Curved Glasses	Standard	5 + 5 mm Laminated Glasses
Drum Walls, Sheet Metal Panelling		Optional
Door Leaves, Glasses	Standard	10 mm Tempered Glasses
Transparent Ceiling Glass	Standard	10 + 6 mm Tempered Laminated Glass
Door Handles Vertical Stainless Steel 70 cm	Standard	
Manual Lock	Standard	
Stainless Steel Cladding		Optional
Electrostatic Powder Coating / Standard RAL	Standard	
Floor Mat	Standard	
Floor Ring	Standard	
Speed Control Mechanism		Optional
Night Shield		Optional

* Contact for special requests upon project basis

Hardware Specifications



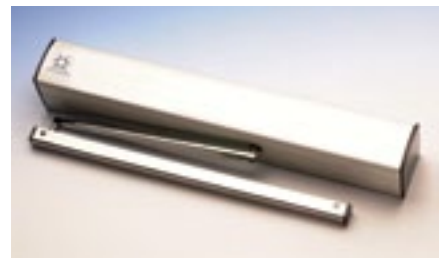
Leaves

Everything is assembled seamlessly and smoothly by the unique designed frame profiles and natural horse hair brushes surrounding the frame in the leaves of

Metaxdoor revolving door systems. With this harmony; air, dust and noise insulation is maximized. The unique design used in the profiles provides Metaxdoor revolving door systems with toughness along with an extremely chic look.

Glasses

As standard; 5+5 mm curved laminated glasses are used on fixed frames and 10 mm tempered glasses are used on the moving leaves. Other glass specifications can also be used upon request. Providing these qualities and dimensions; any kind of colour and coloured reflected glasses can be used as options on the system. Glasses are protected from outside effects by glass seals.



HTM METAXDOOR GmbH
Bredeneyer Str. 2b 45133 Essen
Tel : 0201 4517-322 • Fax: 0201 4517-323
www.metaxdoor.de • info@metaxdoor.de



© HTM METAXDOOR GmbH all rights reserved. | Ver.15.03.18.GL30/SM.EN.UK.06