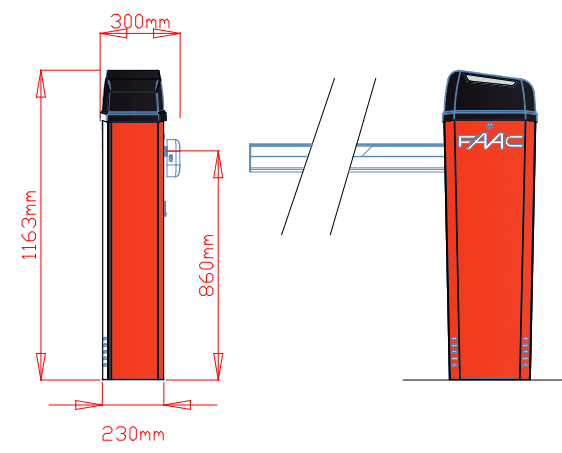
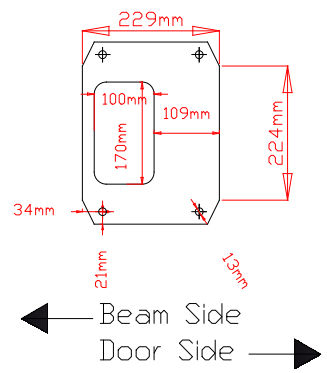


Loop Perimeter	N of Windings
Less than 3m	6
from 3 to 4m	5
from 4 to 6m	4
from 6 to 12m	3
more than 12m	2

### Foundation Plate 490183



Details using Rectangular Beam

### NOTES

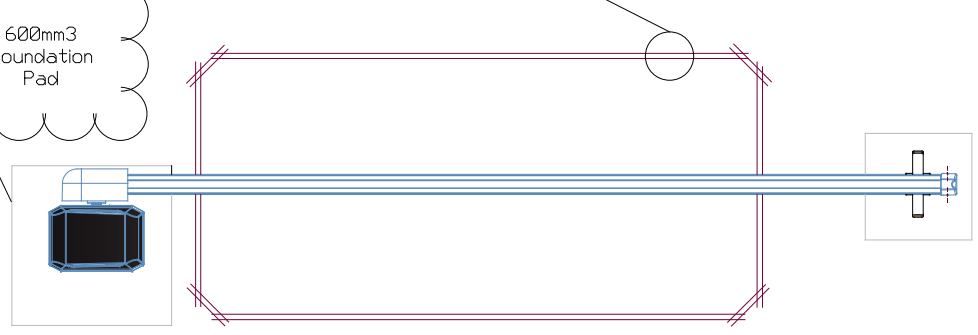
A full and detailed Health Analysis and Risk Assessment will be required to determine if extra safeties are required. A summary of the installers responsibilities regarding the safety of gate systems can be found in the current gate guide document published by the DHF.

**Cable Requirements:**  
 Loop cable - A standard unipolar cable 1.5mm<sup>2</sup>, if laid below ground level then it must be double insulated.

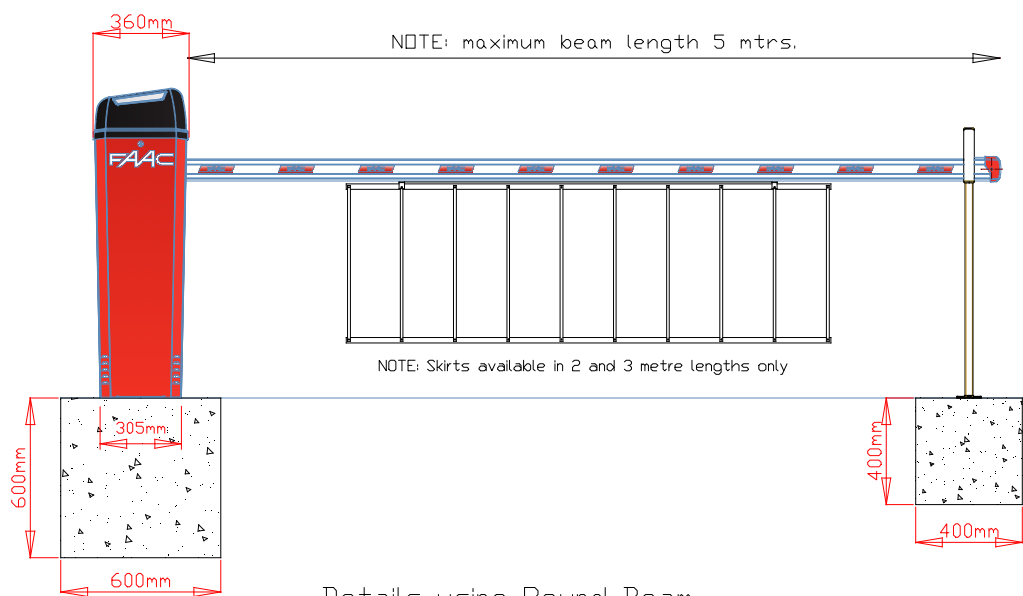
**Accessories:**  
 2.0 x 0.5mm<sup>2</sup>  
 2.0 x 1.5mm<sup>2</sup>

**Power:**  
 230V 3 x 1.5mm<sup>2</sup>  
 PhotoCell 2 x 0.5mm<sup>2</sup>

600mm<sup>3</sup> Foundation Pad



NOTE: maximum beam length 5 mtrs.



Details using Round Beam

Designed by	Checked by	Approved by	File name	Date	Scale
FAAC (UK) Limited Unit 10 The Hatch Ind Park Greywell Road Basingstoke Hampshire RG24 7NG	Tel. 01256 318100 Fax. 01256 318101 Tech. 01256 318111 Email. sales@faac.co.uk Web. www.faac.co.uk		B614 Inst	2019	NTS
			B614 Typical Installation requirements		
			Edition	Sheet	
			EDITION	SHEET	