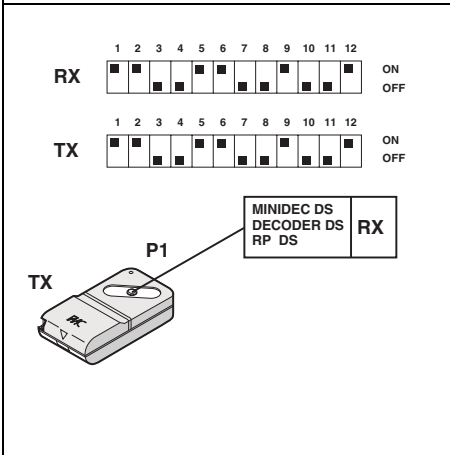


FAAC Electronics Ltd., Leopardstown & Burtonhall Road,
Foxrock Dublin 18.
Declares that the TM1 868DS, TM2 868DS and TM3 868DS
are Equipment Class 1, conform to the requirements of the
R&TTE directive 1999/05/EC and meet the requirements of
the following standards:
ETS 401 389, ETS 300 220, EN60950 and EN50371
Signed Donal Moriarty General Manager.

FAAC

TM 868 DS

CE 0889

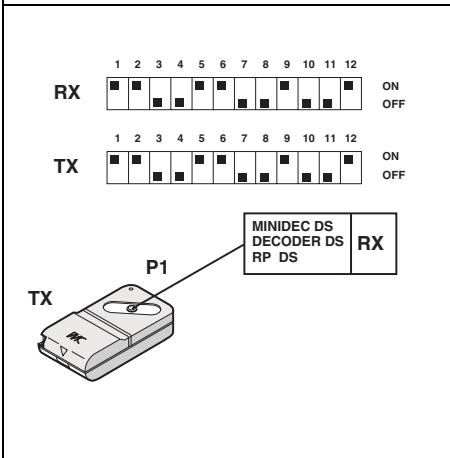


FAAC Electronics Ltd., Leopardstown & Burtonhall Road,
Foxrock Dublin 18.
Declares that the TM1 868DS, TM2 868DS and TM3 868DS
are Equipment Class 1, conform to the requirements of the
R&TTE directive 1999/05/EC and meet the requirements of
the following standards:
ETS 401 389, ETS 300 220, EN60950 and EN50371
Signed Donal Moriarty General Manager.

FAAC

TM 868 DS

CE 0889

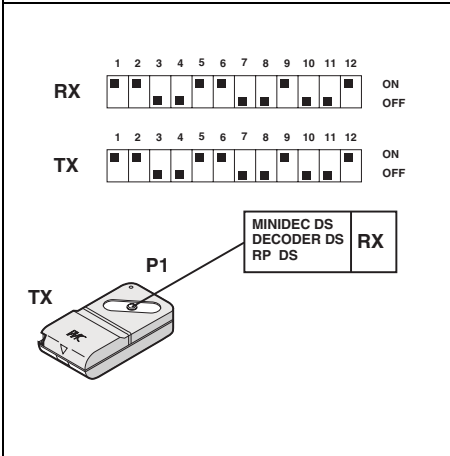


FAAC Electronics Ltd., Leopardstown & Burtonhall Road,
Foxrock Dublin 18.
Declares that the TM1 868DS, TM2 868DS and TM3 868DS
are Equipment Class 1, conform to the requirements of the
R&TTE directive 1999/05/EC and meet the requirements of
the following standards:
ETS 401 389, ETS 300 220, EN60950 and EN50371
Signed Donal Moriarty General Manager.

FAAC

TM 868 DS

CE 0889



FAAC Electronics Ltd., Leopardstown & Burtonhall Road,
Foxrock Dublin 18.
Declares that the TM1 868DS, TM2 868DS and TM3 868DS
are Equipment Class 1, conform to the requirements of the
R&TTE directive 1999/05/EC and meet the requirements of
the following standards:
ETS 401 389, ETS 300 220, EN60950 and EN50371
Signed Donal Moriarty General Manager.

FAAC

TM 868 DS

CE 0889